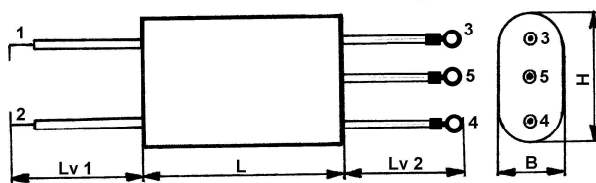
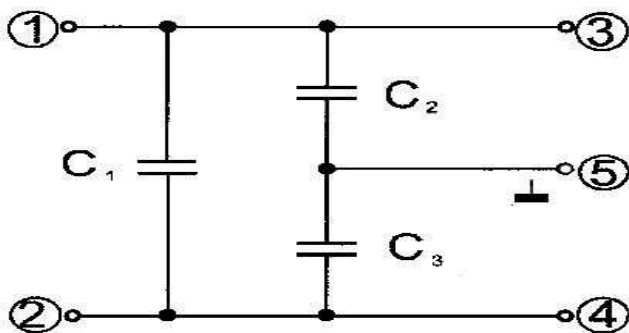
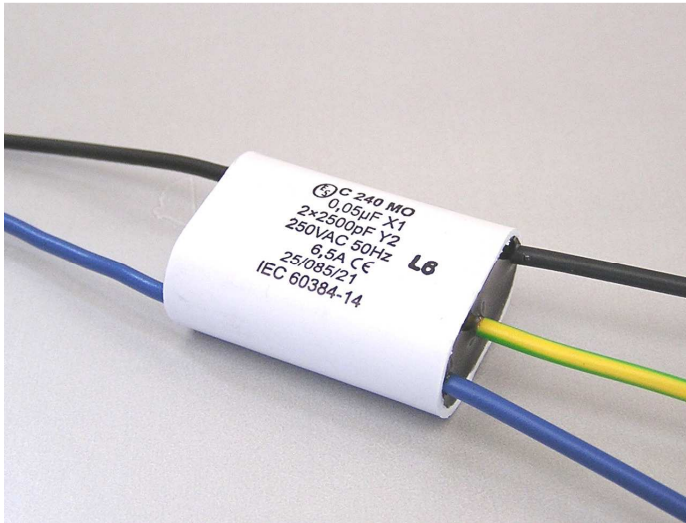
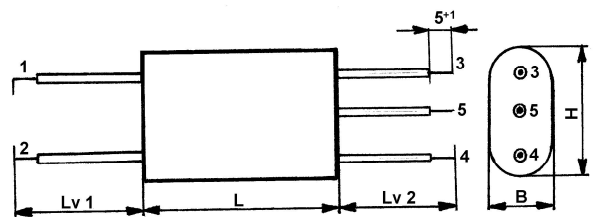


Radiointerference suppression capacitors **X1Y2** C240 MO **X1Y2**



Construction B



Construction A

$C_X + 2 \times C_Y$ *	Dimensions ⁺¹ [mm]				I_R [A _{RMS}]	Construction	ID/Artikel
	B	H	L	Lv1, Lv2**			
0,05uF + 2x2,5nF	13	23	32	150	6,5	A	10383/
0,1uF + 2x2,5nF	13	23	32	300	6,5	A	10545

*Other capacity on request ** Other Lv on request Construction A or B on request

Warning! The manufacturer is not responsible for any damages, caused by the improper installation and application. Before using the capacitor in any application, please, read carefully this technical data-sheet.

Construction:

The suppression-component consist of X capacitor and two Y capacitors. There are polypropylene film capacitors, noninductive type, self – healing, encapsuled in oval plastic case, epoxy resin sealed, UL 94 V-0

The leads: insulated tined wire or insulated stranded wire.

Color of the leads:

1-3: black, 2-4: blue, 5: green-yellow

Other colors on request

Reference standards:

IEC 60384-14, EN 132400

International certificate:

IECEE-CB certificate CZ-1408 and CZ-738

CZ national certificate: EŠC

Rated voltage: 250 V50/60 Hz

Rated capacity X1: 0,05uF, **Y2:** 2x2,5nF

Class: X1Y2

Rated current: 6,5A_{RMS}

Tolerances: ±20% (M) ±10 % (K)

Climatic category: 25/85/21

Temperature range: -25°C ÷ +85°C

Dielectric loss at 1 kHz: 0,001

Insulation resistance:

Ris > 10 000MΩ at 20°C,

Um= 100 VDC after 1 min charging

Test voltage between the leads:

the capacitors are tested in accordance to IEC 60384-14/2nd ed.

Test voltage between the connected leads and the surface of the box: 3000V/50Hz 1 min.

Marking for purchase ordering:

C240MO 0,05uF + 2x 2,5nF 250VAC

