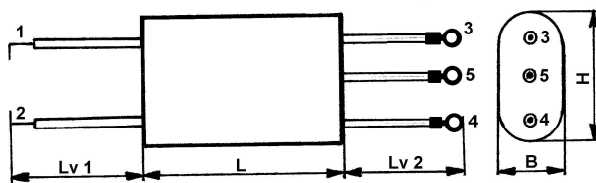
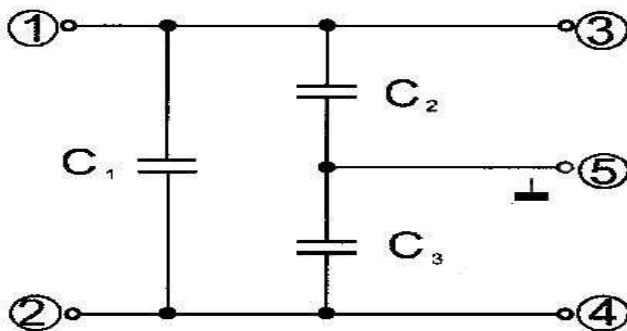
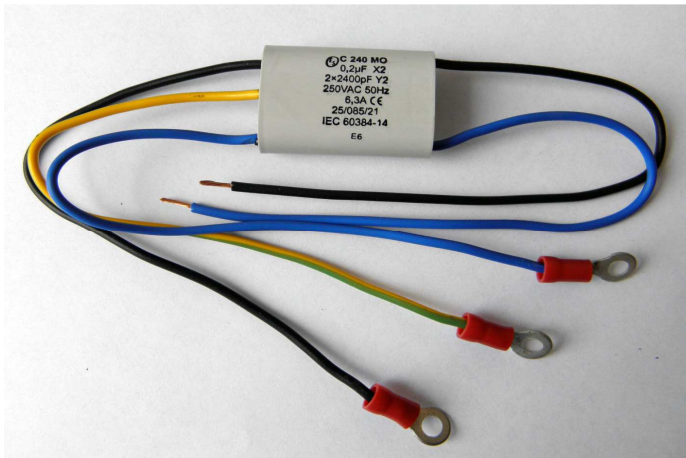
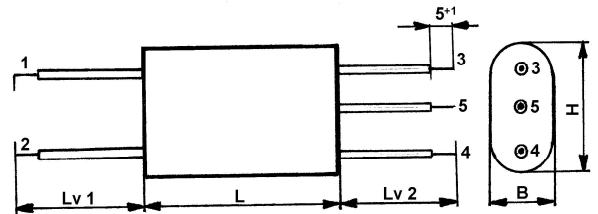


## Radiointerference suppression capacitors **X2Y2** C240 MO **X2Y2**



Construction B



Construction A

### Construction:

The suppression-component consist of X capacitor and two Y capacitors. There are polypropylene film capacitors, noninductive type, self – healing, encapsuled in oval plastic case, epoxy resin sealed, UL 94 V-0

**The leads:** insulated tined wire or insulated stranded wire.

Color of the leads:

1-3: black, 2-4: blue, 5: green-yellow

Other colors on request

**Reference standards:**

IEC 60384-14, EN 132400

**International certificate:**

IECEE-CB certificate CZ-1408 and CZ-738

**CZ national certificate:** EŠC

**Rated voltage:** 250 V50/60 Hz

**Rated capacity X2:** 0,1÷0,2 uF, **Y2:** 2x2,5nF

**Class:**X2Y2

**Rated current:** 6,3A<sub>RMS</sub>

**Tolerances:** ±20% (M) ±10 % (K)

**Climatic category:** 25/85/21

**Temperature range:** -25°C ÷ +85°C

**Dielectric loss at 1 kHz:** 0,001

**Insulation resistance:**

R<sub>is</sub> > 10 000MΩ at 20°C,

U<sub>m</sub>= 100 VDC after 1 min charging

**Test voltage between the leads:**

the capacitors are tested in accordance to IEC 60384-14/2nd ed.

**Test voltage between the connected leads and the surface of the box:** 3000V/50Hz 1 min.

**Marking for purchase ordering:**

C240MO 0,2uF + 2x 2,4nF 250VAC



C <sub>x</sub> +2xC <sub>y</sub> *	Dimensions <sup>1</sup> [mm]				I <sub>R</sub> [A <sub>RMS</sub> ]	Construction	ID/Artikel
	B	H	L	Lv1,Lv2**			
0,1uF + 2x2,5nF	13	23	32	300	6,3	A	9827/ 110102552500
0,2uF + 2x2,4nF	13	23	32	150	6,3	B	9175/

\*Other capacity on request \*\* Other Lv on request Construction A or B on request

**Warning!** The manufacturer is not responsible for any damages, caused by the improper installation and application. Before using the capacitor in any application, pleas, read carefully this technical data-sheet.