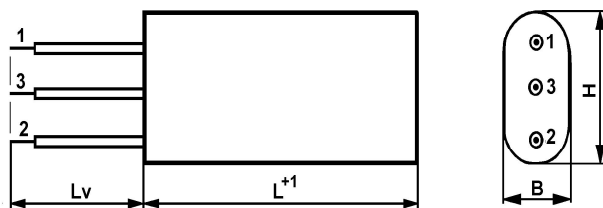
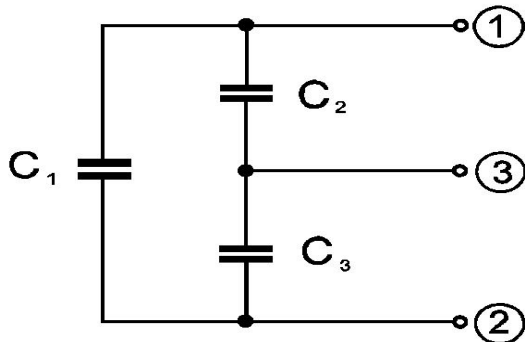
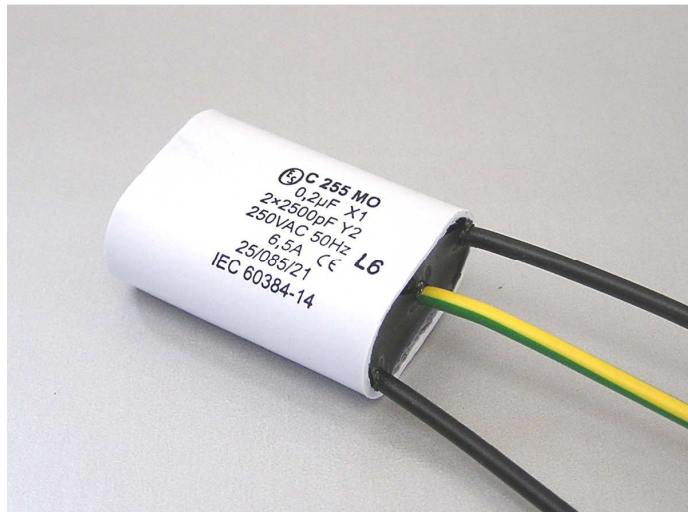


Radiointerference suppression capacitors **X1Y2**

C255MO X1Y2



Construction:

The suppression-component consist of X capacitor and two Y capacitors. There are polypropylene film capacitors, noninductive type, self – healing, encapsuled in oval plastic case, epoxy resin sealed, UL 94 V-0

The leads: insulated tined wire or insulated stranded wire.

Colour of leads: on request

Reference standards:

IEC 60384-14/2, EN 132400

International certificate:

IECEE-CB certificate CZ-1408 and CZ-738

CZ national certificate: EŠC

Rated voltage: 250 V50/60 Hz

Rated capacity X1: 0,01- 0,2uF

Other Capacity on request

Rated capacity Y2: 2x 2,4-2,5nF

Other Capacity on request

Tolerances: ±20% (M) ±10 % (K)

Class: X1Y2

Climatic category: 25/85/21

Temperature range: -25°C ÷ +85°C

Dielectric loss at 1 kHz: 0,001

Insulation resistance:

Ris > 10 000MΩ at 20°C,

Um= 100 VDC after 1 min charging

Test voltage between the leads:

the capacitors are tested in accordance to IEC 60384-14/2nd ed.

Test voltage between the connected leads

and the surface of the box: 3000V/50Hz 1 min.

Marking for purchase ordering:

C255MO 0,2uF + 2x 2,5nF 250VAC

Warning! The manufacturer is not responsible for any damages, caused by the improper installation and application. Before using the capacitor in any application, pleas, read carefully this technical data-sheet.



Cx+2xCy *	Dimensions +1[mm]				Colour of leads			ID Nr./Art.Nr.
	B	H	L	Lv**	1	2	3	
0,1uF+2x2,4nF	13	23	32	220	Black	Blue	Gr-Yell.	10428/
0,1uF+2x2,5nF	13	23	32	200	Black	Black	Gr-Yell.	10549
0,15uF+2x2,4nF	13	23	32	150	Black	Black	Gr-yell.	10429/
0,2uF+2x2,5nF	13	23	32	150	Black	Black	Gr-yell.	10386/

*Other capacity on request ** Other Lv on request