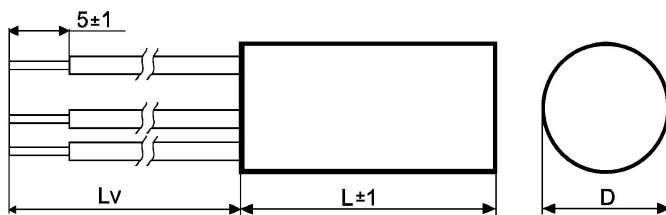
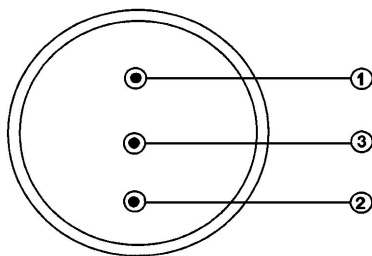
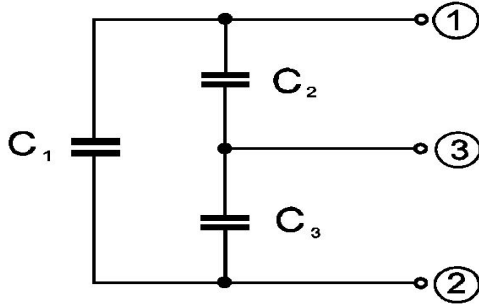
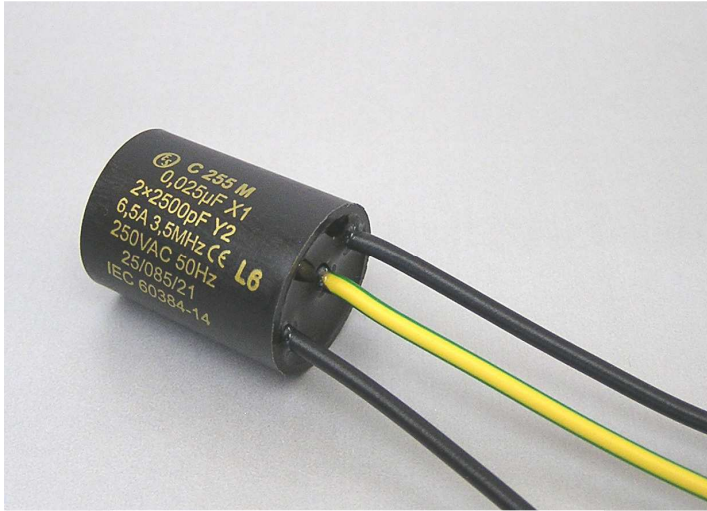




Radiointerference suppression capacitors **X1Y2** C255M **X1Y2**



$C_X + 2x C_Y$ *	Dimensions ⁺¹ [mm]			Colour of leads			ID Nr./Art.Nr.
	D	L	Lv**	1	2	3	
0,025uF + 2x2,5nF	18	24	150	Black	Black	Gr-yell.	10385/
0,050uF + 2x2,5nF	18	24	150	Black	Blue	Gr-yell.	10544
0,15uF + 2x2,5nF	18	24	150	Black	Blue	Gr-yell.	10548

*Other capacity on request ** Other Lv on request

Construction:

The suppression-component consist of X capacitor and two Y capacitors. There are polypropylene film capacitors, noninductive type, self-healing, encapsuled in oval plastic case, epoxy resin sealed, UL 94 V-0

The leads: insulated tined wire or insulated stranded wire.

Colour of leads: on request

Other Colours on request

Reference standards:

IEC 60384-14/2, EN 132400

International certificate:

IECCE-CB certificate CZ-1408 and CZ-738

CZ national certificate: ESČ

Rated voltage: 250 V50/60 Hz

Rated capacity X1: 0,025uF

Other Capacity on request

Rated capacity Y2: 2x 2,5nF

Class: X1Y2

Other Capacity on request

Tolerances: ±20% (M) ±10 % (K)

Climatic category: 25/85/21

Temperature range: -25°C ÷ +85°C

Dielectric loss at 1 kHz: 0,001

Insulation resistance:

Ris > 10 000MΩ at 20°C,

Um= 100 VDC after 1 min charging

Test voltage between the leads:

the capacitors are tested in accordance to IEC 60384-14/2nd ed.

Test voltage between the connected leads

and the surface of the box: 3000V/50Hz 1 min.

Marking for purchase ordering:

C255M 0,025uF + 2x 2,5nF 250VAC



Warning! The manufacturer is not responsible for any damages, caused by the improper installation and application. Before using the capacitor in any application, please, read carefully this technical data-sheet.