

Radiointerference suppression filters

F 255 MRad

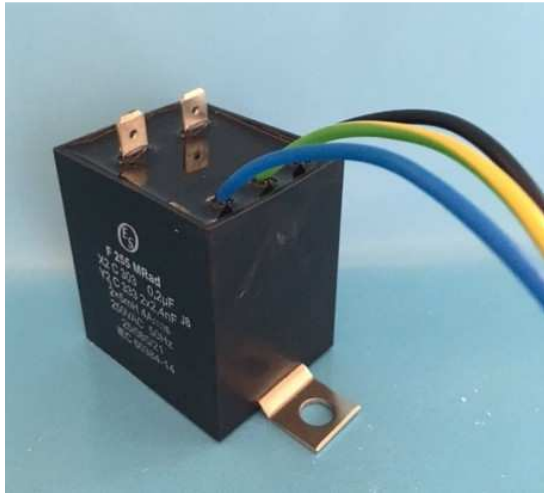
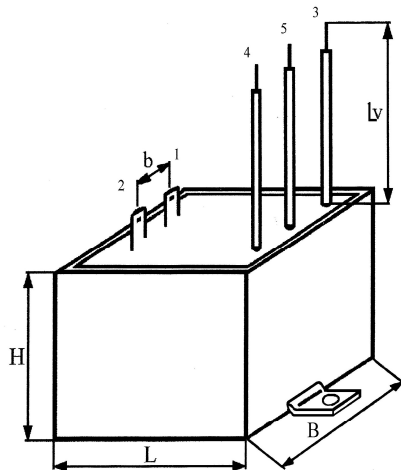
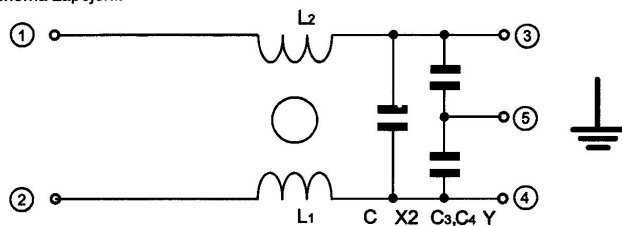


Schéma zapojení:



Construction:

The suppression-filter consist of X2 and two Y2 polypropylene film, noninductive types, self – healing, capacitors and compensated suppressor L1,2,

The Filter is encapsuled in rectangular plastic case, epoxy resin sealed, UL 94 V-0 Mounting lugs on request available

The leads: 3x insulated stranded wire 0,7mm² Color of the leads: 3: black, 4: blue

5: green-yellow

1-2: Fast-On 6,3x0,8

Reference standards:

IEC 60384 –14, EN 60384-14

International certificate:

IECEE-CB certificate

CZ-1408 and CZ-738

CZ national certificate: ESČ

Rated voltage: 250 V50/60 Hz

Rated capacity X2: 0,1 – 0,27 uF

Rated capacity Y2: 2x2,2 – 2,7nF

Tolerances: ±20% (M) ±10 % (K)

Climatic category: 25/85/21

Temperature range: -25°C ÷ +85°C

Dielectric loss at 1 kHz: 0,001

Insulation resistance:

Ris > 10 000MΩ at 20°C,

Um= 100 VDC after 1 min charging

Test voltage between the leads:

the capacitors are tested in accordance to IEC 60384-14.

Test voltage between the connected leads and the surface of the box

3000V/50Hz 1 min.

Marking for purchase ordering:

F 255 MRad

0,2uF+2x2,4nF+2x5mH 250VAC

C _X +2x C _Y + 2x5mH*	Dimensions ⁺¹ [mm]					ID/Artiekl
	B	L	H	Lv**	I _R [A _{RMS}]	
0,2uF + 2x2,4nF + 2x5mH	40	43	50	150	4,0	9823/ 11020255F24L

*Other L₁, L₂ on request ,

** Other Lv on request

Warning! The manufacturer is not responsible for any damages, caused by the improper installation and application. Before using the capacitor in any application, pleas, read carefully this technical data-sheet.