



Elektronické součástky CZ, a.s.

MKP300-248 CAPACITORS FOR AC APPLICATIONS



Construction:

Metallized polypropylene film, non-inductive, self-healing construction, plastic cylindrical flame retardant case, with bottom screw available, leads stranded wire or cable

Applications:

Motor run-capacitors and other AC applications

Rated voltage U_R : 850VAC 50/60Hz

If the working frequency is higher, the permissible AC voltage must be decreased

Rated capacitance: $3\mu F \div 11\mu F$

Tolerance: $\pm 10\%$, $\pm 5\%$, other tolerance on request

Dissipation factor $Tg\delta$: $< 0,001$ at 100Hz and $+25^\circ C$

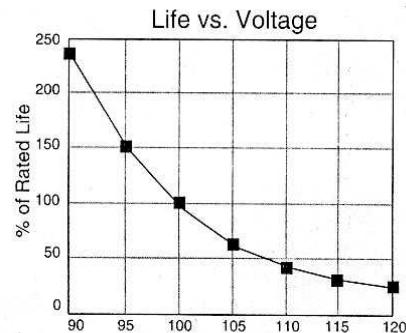
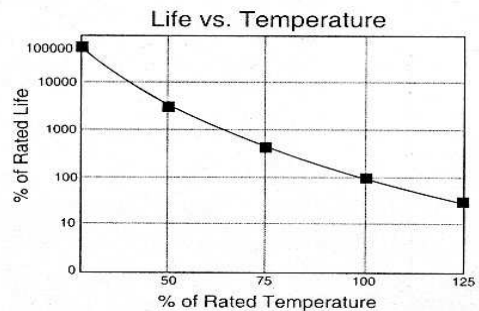
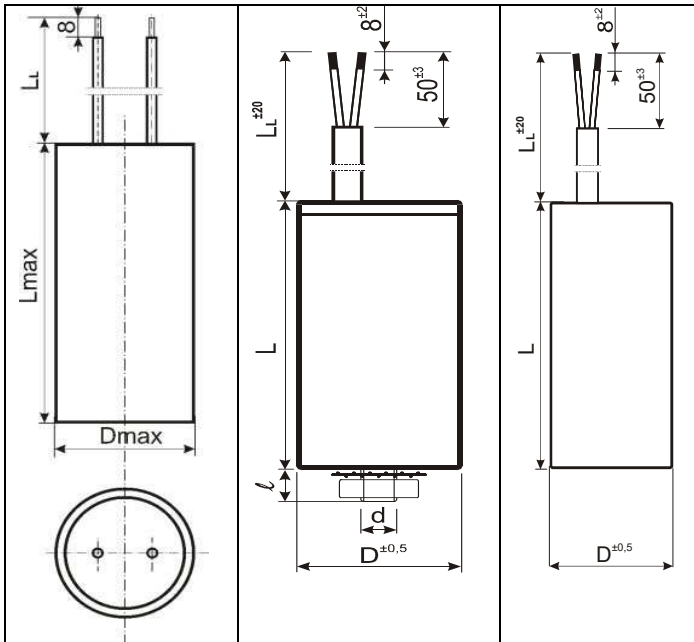
Insulation resistance R_{IS} : $> 10\ 000/C$ [$M\Omega$; μF]

Operating temperature range: -40 $+85^\circ C$

The highest permissible capacitor temperature at the hottest point of the case must not exceed $+85^\circ C$.

Operating life expectancy: 10 000h/850V 50Hz, Class B, Test conditions $1,25 \times U_R$ at $+85^\circ C$, 2000h

Life expectancy:



Capacity C_R [μF]	Dimensions [mm]			Bottom Screw M8x10 mm
	D	L	L_L	
3,0	45	68	300	Yes
3,0	45	68	300	-
9,0	60	120	200	-
10	60	120	200	-
11	60	120	200	-

Other capacity and other L_L on request

Warning! The manufacturer is not responsible for any damages, caused by the improper installation and application. Before using the capacitor in any application, please, read carefully this technical data-sheet.

Test voltage between terminals: 1000 VAC, 10sec. at $+25^\circ C$. All capacitors are tested by the routine test by the producer

Protection against Over-voltages:

The capacitors are self-healing and regenerate themselves after occasional breakdowns. The capacitor remains fully functional after the breakdown.

Permitted Over-voltages in working conditions:

$1,1 \times U_R$ max. 10% of the service period

If the Over-voltages exceed the permissible values above, the capacitor might have been destroyed.

Test voltage between terminals and case:

3000VAC/50Hz, 1min. at $+25^\circ C$

Max. repetitive rate of voltage rise dU/dt :

$< 20V/\mu sec$ at U_R and $+25^\circ C$

Related standards:

IEC 60252

Marking for purchase ordering:

MKP300-248 $3\mu F \pm 5\%$ 850V 50/60Hz