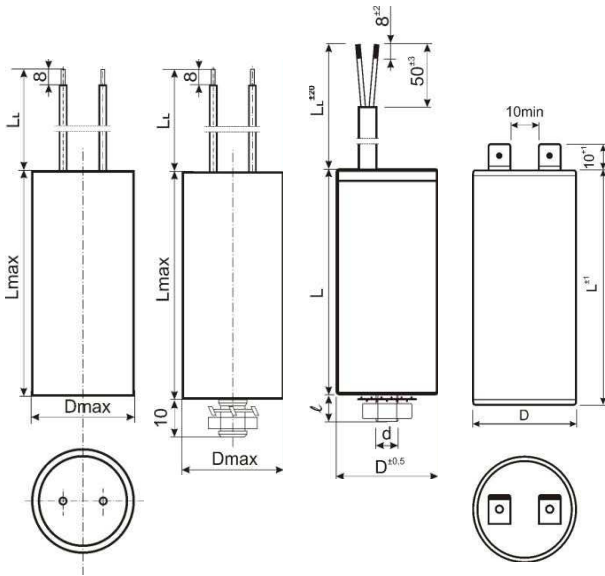


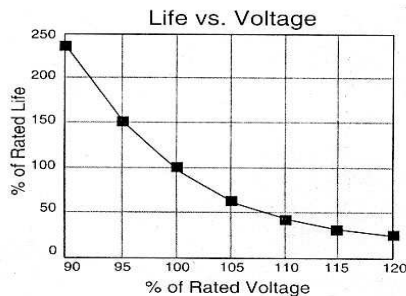


CAPACITORS FOR AC VOLTAGE APPLICATIONS

MKT 205T



Influence of temperature and working voltage on expected service-life



Capacity [uF]	Dimensions [mm]			
	D	L	Lv	Bottom screw
28	30	69,5	100	M8
42	30	68	100	-
42	30	69,5	100	M8
60	35	68	100	-
80	40	69,5	250	M8
82	40	68	270	-
82	40	69,5	270	M8
90	40	68	100	-
120	45	68	100	-
120	45	69,5	-	M8
180	50	120	-	M8

Other Dimensions on request

Construction:

metalized film electrodes, polyester film dielectric, No-inductive, self-healing construction, Polyester tape wrapping, epoxy resin sealed, flame retardant execution, UL94-V0 on request Tined cooper wire or insulated stranded wire leads or fastons 0,8x6,3 or cable leads 2x0,75mm²

Applications:

Motor-run capacitors and other AC and DC applications

Rated DC voltage U_R : 200VDC

Rated voltage is the max. DC or peak voltage, for which the capacitor is designed. If the capacitor works with the DC and also super-imposed AC voltage U_{AC} , the sum of DC and the amplitude of AC must not exceed the U_R

Max permissible AC voltage: 70V 50/60Hz,

If the working frequency is higher, the permissible AC voltage must be decreased, not to exceed the max. loss power of the capacitor.

Capacity: 28 ÷ 120 uF, other capacity on request

Tolerance: ±20%, ±10%, ±5%

Dissipation factor $Tg\delta$: < 0,01 at 100Hz and +25°C

Insulation resistance R_{IS} : 5 000/C [MΩ]

Operating temperature range: -40 ÷ +70°C

Max permissible ambient temperature: +70°C on case

The highest permissible capacitor temperature at the hottest point of the case must not exceed +70°C.

Test voltage between terminals:

1,4x U_R , 1min at +25°C, all capacitors are tested by the routine test by the producer

Protection against Over-voltages:

The capacitors are self-healing and regenerate themselves after occasional breakdowns. The capacitor remains fully functional after the breakdown.

If the Over-voltages exceed the permissible value above, the capacitor might have been destroyed.

Test voltage between terminals and case:

1000VDC, 1min. at +25°C

Max. repetitive rate of voltage rise dU/dt : < 5V/usec

The capacitors are not suitable for direct across the line operation !

Related standards: IEC 60384-1, IEC 60252

Marking for purchase ordering, sample:

MKT205T 120uF 70V 50/60Hz

Warning! The manufacturer is not responsible for any damages, caused by the improper installation and application. Before using the capacitor in any application, please, read carefully this technical data-sheet.

