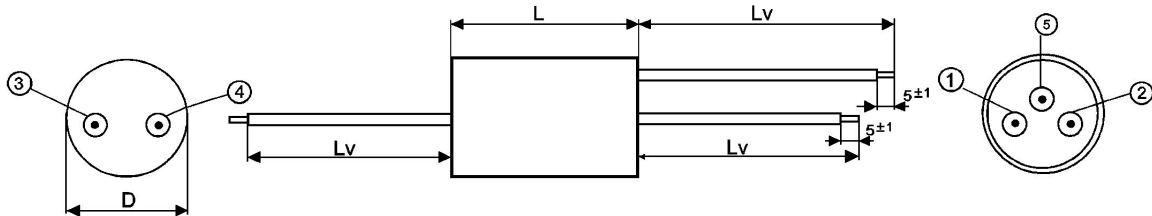
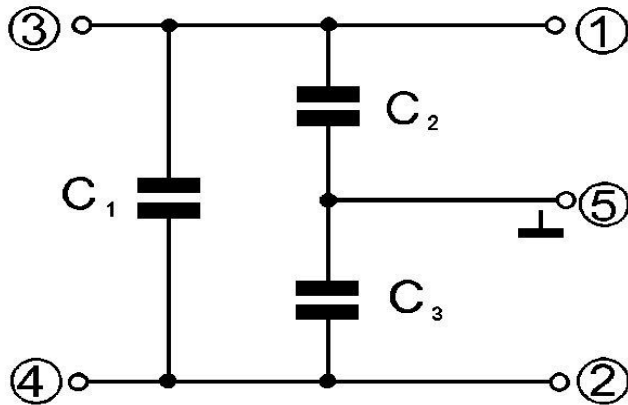
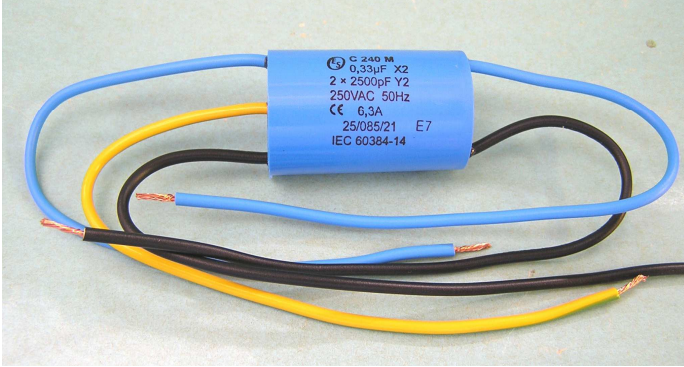


## Radiointerference suppression capacitors

### C240M



$C_X + 2x C_Y$ *	Dimensions <sup>+1</sup> [mm]			
	D	L	Lv**	I <sub>R</sub> [A <sub>RMS</sub> ]
0,068uF + 2x2,4nF	18	24	150	6,3
0,2uF + 2x2,5nF	20	36	150	6,3
0,33uF + 2x2,5nF	20	36	150	6,3

\*Other capacity on request

\*\* Other Lv on request

**Warning!** The manufacturer is not responsible for any damages, caused by the improper installation and application. Before using the capacitor in any application, please, read carefully this technical data-sheet.

#### Construction:

The suppression-component consist of X capacitor and two Y capacitors. There are polypropylene film capacitors, noninductive type, self – healing, encapsuled in tubular plastic case, epoxy resin sealed, UL 94 V-0

**The leads:** insulated tined wire or insulated stranded wire.

Color of the leads:

1-3: black, 2-4: blue, 5: green-yellow

#### Reference standards:

IEC 60384-14, EN 60384-14

#### International certificate:

IECEE-CB certificate CZ-1408 and CZ-738

#### CZ national certificate: EŠC

**Rated voltage:** 250 V50/60 Hz

**Rated capacity X2:** 0,068÷0,33 uF

**Rated capacity Y2:** 2x2,4nF – 2x4,7nF

**Tolerances:** ±20% (M) ±10 % (K)

**Climatic category:** 25/85/21

**Temperature range:** -25°C ÷ +85°C

**Dielectric loss at 1 kHz:** 0,001

#### Insulation resistance:

R<sub>is</sub> > 10 000MΩ at 20°C,

U<sub>m</sub>= 100 VDC after 1 min charging

#### Test voltage between the leads:

the capacitors are tested in accordance to

IEC 60384-14 or EN 60384-14

#### Test voltage between the connected leads

and the surface of the box: 3000V/50Hz 1 min.



#### Marking for purchase ordering:

C240M 0,068uF + 2x 2,4nF 250VAC