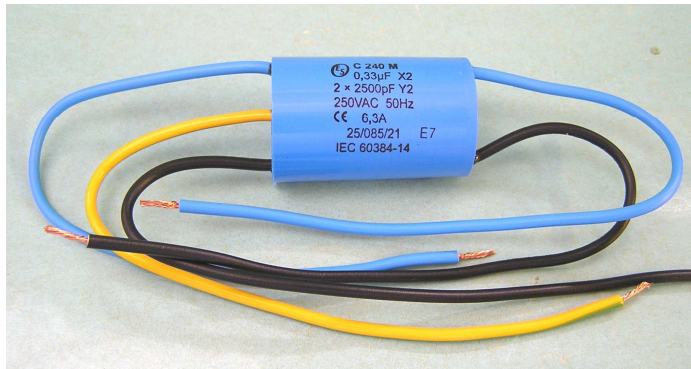
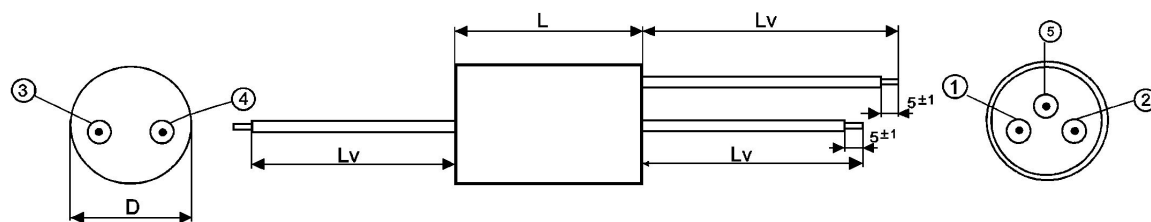
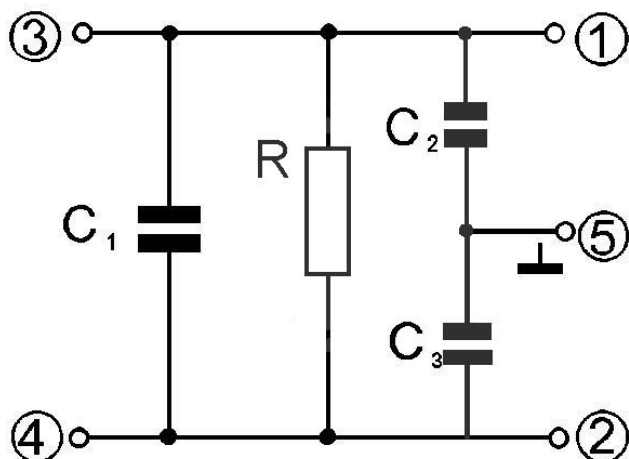


Radiointerference suppression capacitors

C240MR



info



$C_X + 2x C_Y$ *	Dimensions ⁺¹ [mm]				
	D	L	Lv**	$I_R [A_{RMS}]$	R[MΩ]
0,2uF + 2x2,5nF + R	18	30	150	6,3	2

*Other capacity on request

** Other Lv on request

Warning! The manufacturer is not responsible for any damages, caused by the improper installation and application. Before using the capacitor in any application, please, read carefully this technical data-sheet.

Construction:

The suppression-component consist of X capacitor and two Y capacitors. There are polypropylene film capacitors, noninductive type, self – healing, encapsuled in tubular plastic case, epoxy resin sealed, UL 94 V-0

The leads: insulated tined wire or insulated stranded wire.

Color of the leads:

1-3: black, 2-4: blue, 5: green-yellow

Reference standards:

IEC 60384-14, EN 60384-14

International certificate:

IECEE-CB certificate CZ-1408 and CZ-738

CZ national certificate: EŠC

Rated voltage: 250 V50/60 Hz

Rated capacity X2: 0,2 uF

Rated capacity Y2: 2x2,5nF

Tolerances: ±20% (M) ±10 % (K)

Climatic category: 25/85/21

Temperature range: -25°C ÷ +85°C

Dielectric loss at 1 kHz: 0,001

Insulation resistance:

Ris > 10 000MΩ at 20°C,

Um= 100 VDC after 1 min charging

Test voltage between the leads:

the capacitors are tested in accordance to

IEC 60384-14 or EN 60384-14

Test voltage between the connected leads

and the surface of the box: 3000V/50Hz 1 min.

Marking for purchase ordering:

C240MR 0,2uF + 2x 2,5nF R 2Mohm, 250VAC

