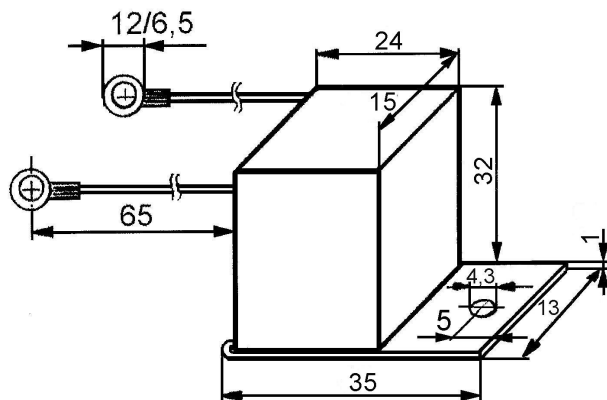
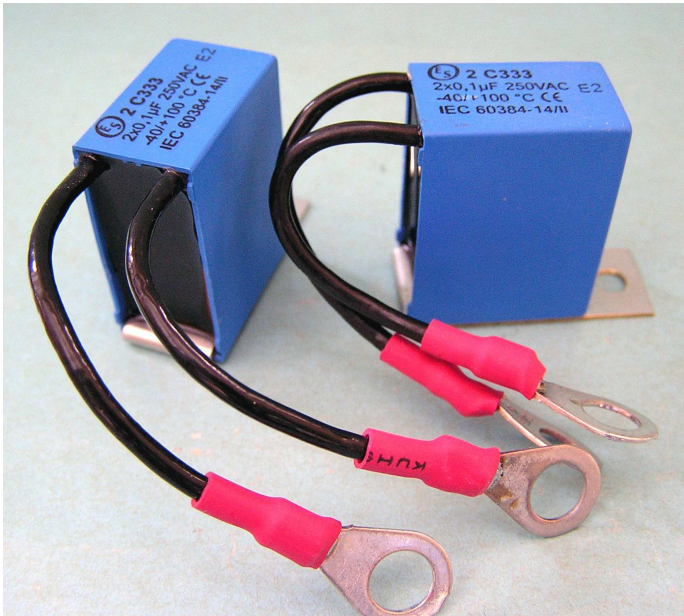


2C333 Double Radio-interference suppression capacitors



Construction:

Metallized polypropylene film capacitors noninductive type. Self - healing ability. Special plastic case with metallic mounting clamp, epoxy resin sealed, Stranded wire leads 0,75mm²x 60mm, concluded with the lugs other length or other form of the leads on request available flame retards case (UL 94 V-0)

Reference standards:

IEC 60384-14
Certificat by IECEE-CB CZ1408
and ESC 2030075

Rated voltage: 250V; 50/60 Hz

Rated capacity: 2x0,1uF
other capacity on request available

Tolerance: ±20% (M) ±10 % (K)

Climatic category: 40/100/56
according to IEC 60068 – 1

Temperature range: -40°C ÷ +100°C

Dielectric loss at 100Hz: 0,001

Insulation resistance:

Ris > 10GΩ at 20°C,
Um= 100 VDC after 1 min charging

Test voltage between the leads: 1600VDC 2sec
other tests in accordance to IEC 60384-14/II.

Marking for purchase ordering:

2C333 2x0,1 uF ±10% 250V/50Hz

Warning! The manufacturer is not responsible for any damages, caused by the improper installation and application. Before using the capacitor in any application, please, read carefully this technical data-sheet.