

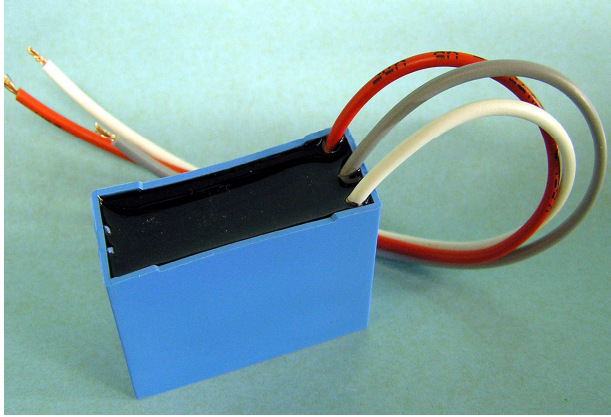


## RC Unit 2RC100-025

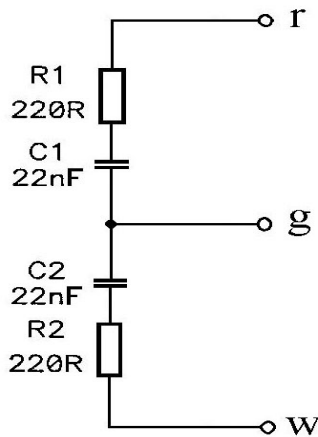
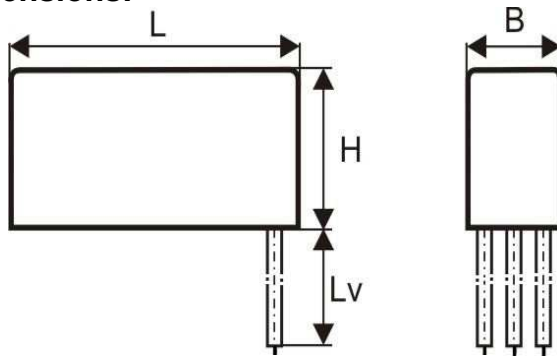
2x22nF & 2x220R 440VAC

2x220nF & 2x100R 440VAC

2x470nF & 2x100R 440VAC



### Dimensions:



### Applications:

R-C units are designed for use in DC and AC applications for contact protection and protection of power transistors and thyristor and triacs

### Construction:

Metallized film capacitors noninductive construction. Self-healing ability. Rectangular plastic case is epoxy resin sealed. Resistors in range  $10 \div 1000\Omega$  (serie E6). Metal film, Pw 1,0W or 2,0W or in accordance to customer specification.

### Reference standards:

EN 130000, IEC 60384-14 ed.1993 and EN 132400

**THE ESČ MARK - a symbol of the product safety and reliability**

### Rated working voltage:

$U_R$ : 440V 50 Hz at + 40°C  
400V 50 Hz at + 85°C

$U_R$ : 1000VDC

Tolerance of Cn [%]  $\pm 20(\%)$ ,  
on request  $\pm 10\%$

### Insulation resistance between the leads:

$R_{is} > 10 G\Omega$

### Climatic category IEC 60068

55/085/56

### Construction of leads:

insulated stranded wire  $s = 0,5 \text{ mm}^2$ ,  
length  $L_v$ :  $165 \pm 5 \text{ mm}$  or on customer specification

### Marking for purchase ordering, sample:

2RC 100-025 2x22nF 220 $\Omega$  440VAC

C <sub>R</sub> [nF]*	Dimension				
	B	H	L	L <sub>v</sub>	R <sub>1</sub> , R <sub>2</sub>
22	14	25,5	42,5	165	220R
220	16	28,5	42,5	165	100R
470	22	30	42,5	165	100R

Other capacity on request

**Warning!** The manufacturer is not responsible for any damages, caused by the improper installation and application. Before using the capacitor in any application, please, read carefully this technical data-sheet.