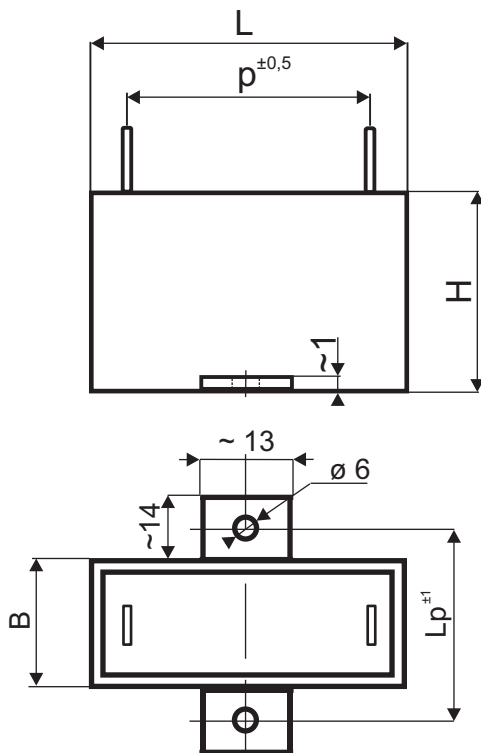


MKPI 300-150



Capacit. C_r [μ F]	U_r [DC]	Dimension [mm]				PL [W]
		B	H	L	p	
0,5	1200	21	30	42,5	37,5	1,3
1,0	1200	28	37	42,5	37,5	1,9
1,5	1200	30	45	42,5	37,5	2,2
2,0	1200	35	45	65	60	3,3
2,5	1200	35	45	65	60	3,3
3,0	1200	35	50	70	65	3,8
5,0	1200	55	50	110	100	5,5

Construction:

Metallized polypropylene film, Non-inductive, self-healing construction. Plastic prismatic flame retardant case.

Applications:

Capacitors for AC and DC applications

Technical data

Rated voltage U_r : 1200 VDC; 500V/50Hz

Rated voltage is the max. DC or peak voltage, for which the capacitor is designed.

If the capacitor works with the DC and also super-imposed AC voltage U_{AC} , the sum of DC and the amplitude of AC must not exceed the U_r

Max permissible AC voltage:

If the working frequency is higher, the permissible AC voltage must be decreased, not to exceed the max. loss power of the capacitor.

$$\text{Max. } U_{AC(f)} = \sqrt{\frac{P_L}{2\pi f C_r \times \text{tg}\delta}}$$

Rated capacitance: 0,5 μ F - 5 μ F

Tolerance: 10%, 5%

Dissipation factor $\text{tg}\delta$: < 0,001 at 1kHz and +25°C

Insulation resistance R_{iS} : >10 000/C [M Ω]

Operating temperature range: -55 ÷ +85°C

The highest permissible capacitor temperature at the hottest point of the case must not exceed +85°C.

Max. permitted dissipation power of the capacitor P_L : depend on the cooling conditions.

Test voltage between terminals: 1,25 $\times U_r$, 1min. at +25°C

All capacitors are tested by the routine test by the manufacturer

Protection against Overvoltages:

The capacitors are self-healing and regenerate themselves after occasional breakdowns. The capacitor remains fully functional after the breakdown.

Permitted Overvoltages in working conditions:

1,10 $\times U_r$ max. 30% of the service period

1,15 $\times U_r$ max. 30min./day

1,20 $\times U_r$ max. 5min./day

1,25 $\times U_r$ max. 1min./day

If the Overvoltages exceed the permissible values above, the capacitor might have been destroyed.

Test voltage between terminals and case:

3000VDC, 1min. at +25°C

Max. repetitive rate of voltage rise dU/dt :

< 500V/ μ sec at U_r and +25°C

Max. peak current I_p : < $C_r \times dU/dt$

Terminals: solder tags or fastons

Related standards: IEC 60384-1, IEC 60384-17

Marking for purchase ordering: MKPI 300-150

Warning! The manufacturer is not responsible for any damages, caused by the improper installation and application. Before using the capacitor in any application, please, read carefully this technical data-sheet.