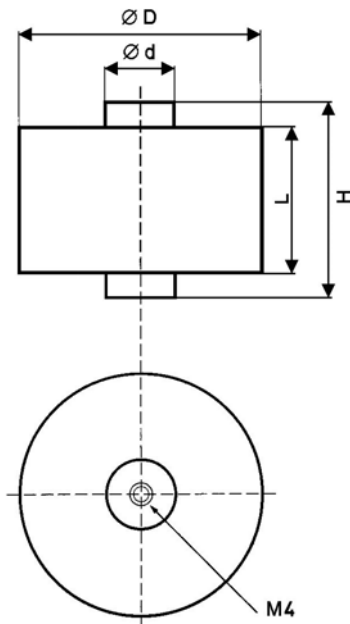




HIGH VOLTAGE CAPACITORS MKT500-086



Construction:

Metallized polypropylene-film dielectricum, non-inductive, self-healing construction
Plastic cylindrical flame retardant case, with bottom and upper screw M6x10

Applications:

High voltage pulse applications

Technical data

Rated voltage U_R : 12 000VDC

Rated voltage is the max. DC or peak voltage, for which the capacitor is designed. If the capacitor works with the DC and also super-imposed AC voltage U_{AC} , the sum of DC and the amplitude of AC must not exceed the U_R

Max permissible AC voltage: 6000V 50/60Hz

Rated capacitance: 1nF

Tolerance: $\pm 10\%$,

Dissipation factor $Tg\delta$: $< 0,01$ at 1kHz and $+25^\circ\text{C}$

Insulation resistance R_{IS} : $> 2000\text{M}\Omega$

Operating temperature range: $-40 \div +70^\circ\text{C}$

The highest permissible capacitor temperature at the hottest point of the case must not exceed $+70^\circ\text{C}$.

Test voltage between terminals: 15 000VDC, 1min. at $+25^\circ\text{C}$, all capacitors are tested by the routine test by the producer

Permitted over voltages in working conditions:

$1,1 \times U_R$ for 2 sec.

If the over voltages exceed the permissible values above, the capacitor might have been destroyed.

Test voltage between terminals and case:

15 000VDC, 1min. at $+25^\circ\text{C}$

Max. repetitive rate of voltage rise dU/dt :

$< 1\text{V}\mu\text{sec}$ at U_R and $+25^\circ\text{C}$

Max. peak current I_p : $< C_R \times dU/dt$

Terminals: screws M6x10

Related standards: IEC 60384-1

Marking for purchase ordering:

MKT500-086 1,0nF 6000VAC/12/15kVDC

C* [nF]	Dimensions [mm]		
	D	L	d
1,0	30	45	8

Other capacitance on request

Warning! The manufacturer is not responsible for any damages, caused by the improper installation and application. Before using the capacitor in any application, please, read carefully this technical data-sheet.