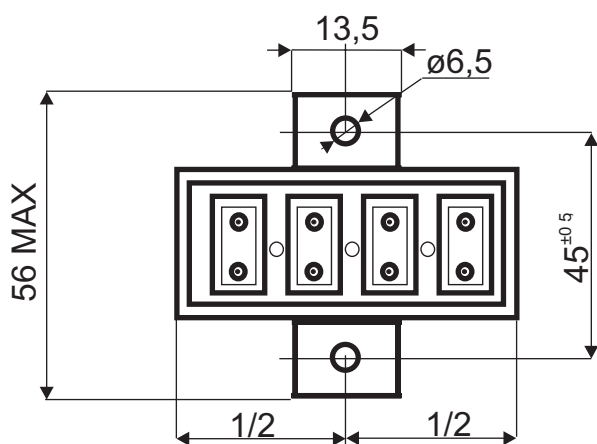
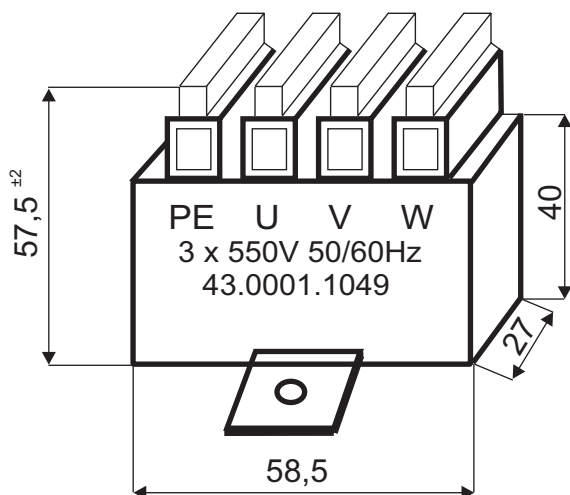


RC - PRVKY

RC - UNITS

43.0001.1049

Construction:



R-C units are designed for the applications in DC and AC electronic circuits for contact protection, radio interference suppression of a thyristor regulators and motor -comutators, for the protection of semiconductor switches as dU/dt suppression on thyristors, triacs and power transistors.

The R-C units are class X2, the used components are certified with international CB-certificate available CZ-972, 1.001552-00 (RC 209) and CZ -1408

Construction:

The winding units of C and the resistors R are in prismatic box resin sealed.

The box has two metallic clips for the mounting.

Technical specification:

Type: customer specified 43.0001.1049

C: C₁, C₂, C₃ 0,47mF, class X2 winding units C 306,
 C₄ 22 nF Y2 winding units C 336

U_R: 600 VAC, 50/60 Hz

R: R₁, R₂, R₃ 0,47 MΩ 0,6W

Test voltage:

terminal - terminal: U, V, W 2000 VDC for 2 sec
 all terminals to case (clip): 2000 V AC, 1 min.

Climatic category: IEC 60068-1
 55/085/56

Reference standards:

IEC 60384-14. 2. ed., EN 133 400

other construction available on request

