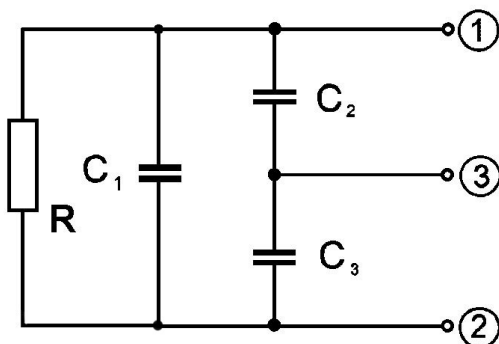


## Radiointerference suppression capacitors **X1Y2** C338 OR 250 VAC



### Construction:

The suppression-component consist of X1 capacitor and two Y2 capacitors. There are polypropylene film capacitors, noninductive type, self – healing, encapsuled in oval plastic case, epoxy resin sealed, UL 94 V-0

**The leads:** insulated tined wire or insulated stranded wire.

**Colour of leads:** 1black, 2 black, 3 green-yellow

### Reference standards:

IEC 60384-14, EN 60384 -14

### International certificate:

IECEE-CB certificate CZ-1408 and CZ-738

**Rated voltage:** 250 V50/60 Hz

**Rated current:** 10A<sub>RMS</sub>

**Rated capacity X1:** 0,1±0,33μF

Other Capacity on request

Discharge Resistor : on request

**Rated capacity Y:** 2x1 – 2,5nF

Other Capacity on request

**Tolerances:** ±20% (M) ±10 % (K)

**Class:** X1Y2

**Climatic category:** 25/85/21

**Temperature range:** -25°C ÷ +85°C

**Dielectric loss at 1 kHz:** 0,001

### Insulation resistance:

R<sub>is</sub> > 10 000MΩ at 20°C,

U<sub>m</sub>= 100 VDC after 1 min charging

### Test voltage between the leads:

the capacitors are tested in accordance to IEC 60384-14

### Test voltage between the connected leads

and the surface of the box: 3000V/50Hz 1 min.

### Marking for purchase ordering:

C338 OR 0,3uF + 2x 2,5nF ±10% R 1M0hm 250VAC

**Warning!** The manufacturer is not responsible for any damages, caused by the improper installation and application. Before using the capacitor in any application, please, read carefully this technical data-sheet.

C <sub>X</sub> +2xC <sub>Y</sub> *	Dimensions <sup>1</sup> [mm]				Resistor	ID Nr./Art.Nr.
	B	H	L	Lv <sup>**</sup>		
0,3uF+2x2,5nF	15,5	28	43,5	300	1M/1W	9591/ 11030253200OR
0,3uF+2x2,5nF	15,5	28	43,5	300	1M/2W	10546

\*Other capacity on request

\*\* Other Lv on request