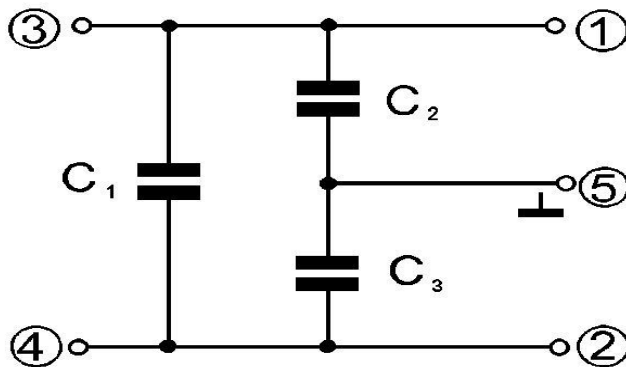
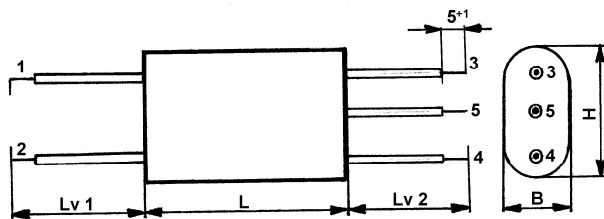
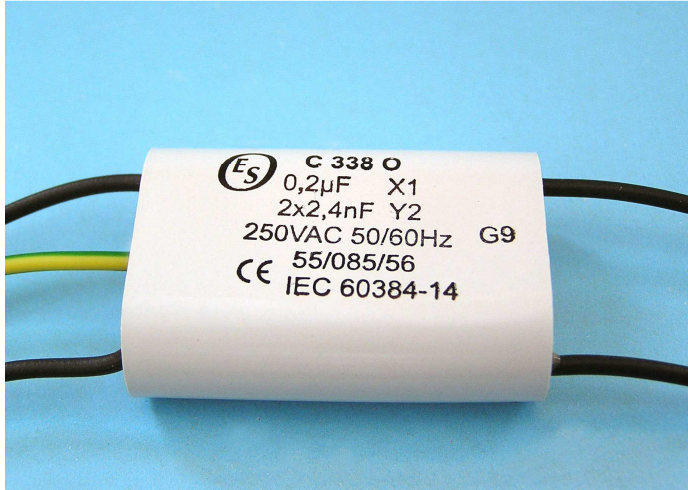


Radiointerference suppression capacitors X1

C338 O 250 VAC



Construction:

The suppression-component consist of X1 capacitor and two Y2 capacitors. There are polypropylene film capacitors, noninductive type, self – healing, encapsuled in oval plastic case, epoxy resin sealed, UL 94 V-0

The leads: insulated tined wire or insulated stranded wire.

Colour of leads: 1,3 black, 2,4 black, 5 green-yellow or white

Reference standards:

IEC 60384-14, EN 60384 -14

International certificate:

IECEE-CB certificate CZ-1408 and CZ-738

CZ national certificate: EŠC

Rated voltage: 250 V50/60 Hz

Rated current: 10A_{RMS}

Rated capacity X1: 0,1÷0,33µF

Other Capacity on request

Rated capacity Y2: 2x1 – 2,5nF

Other Capacity on request

Tolerances: ±20% (M) ±10 % (K)

Class: X1Y2

Climatic category: 25/85/21

Temperature range: -25°C ÷ +85°C

Dielectric loss at 1 kHz: 0,001

Insulation resistance:

Ris > 10 000MΩ at 20°C,

Um= 100 VDC after 1 min charging

Test voltage between the leads:

the capacitors are tested in accordance to IEC 60384-14

Test voltage between the connected leads

and the surface of the box: 3000V/50Hz 1 min.

Marking for purchase ordering:

C338O 0,2µF + 2x 2,4nF 250VAC

Warning! The manufacturer is not responsible for any damages, caused by the improper installation and application. Before using the capacitor in any application, pleas, read carefully this technical data-sheet.



C _X +2xC _Y *	Dimensions ^{*1} [mm]				ID Nr./Art.Nr.
	B	H	L	Lv**	
0,2µF+2x2,4nF	15,5	28	43,5	200/250	9590/ 1102025524005O

*Other capacity on request

** Other Lv on request