

RC - PRVKY

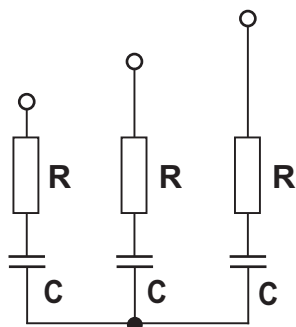
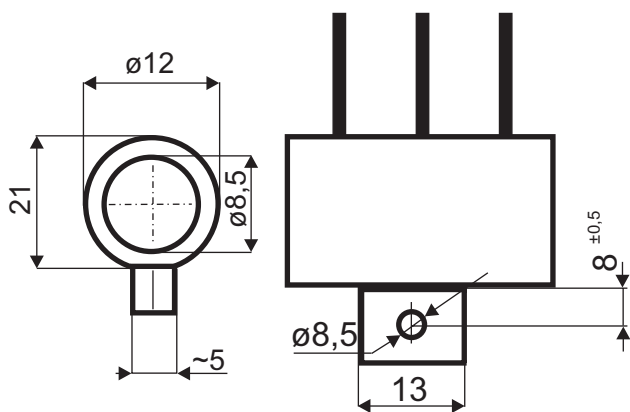
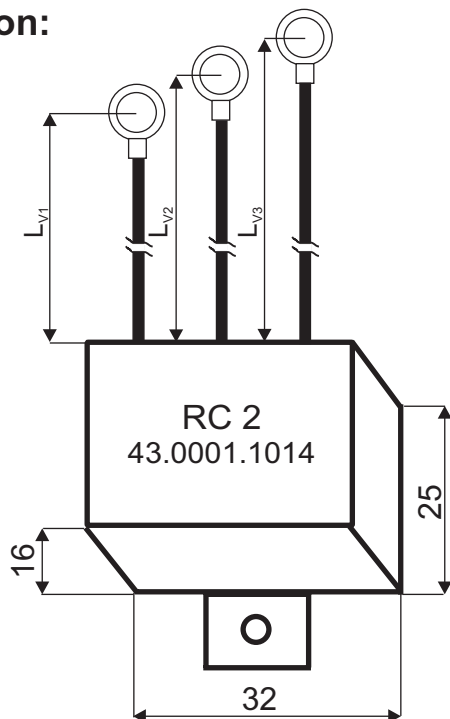
RC - UNITS

ES Elektronické součástky CZ, a.s.

Syllabova 2943/37, 703 00 OSTRAVA - Vitkovice
 Tel.: +420 595 781 623, 596 623 385
 Fax: +420 595 781 612, 596 623 386
 E - mail: eso@es-ostrava.cz
 Web Site: http://www.es-ostrava.cz

43.0001.1014

Construction:



R-C units are designed for the applications in DC and AC electronic circuits for contact protection, radio interference suppression of a thyristor regulators and comutators - motors, for the protection of semiconductor switches as dU/dt suppression on thyristors, triacs and power transistors.

The R - C units are also as class X2 (RC 209) with international CB - certificate available CZ- 972, 1.001552-00

Construction:

The winding units of C and the resistors R are in prismatic box resin sealed. The terminals are insulated stranded wire $S = 0,75 \text{ mm}^2$ with the lengths $L_{V1} 170 \pm 5 \text{ mm}$, $L_{V2} 205 \pm 5 \text{ mm}$, $L_{V3} 330 \pm 5 \text{ mm}$. The terminals have the cable eyes. The box has metallic clips for the mounting.

Technical specification:

Type: customer specified 43.0001.1014

C: $1 \mu\text{F} \pm 20\%$

U_R : 100 V DC

R: $3,3 \Omega$ 0,6W

Test voltage:

terminal - terminal: 1,6 U_R , for 2 sec

all terminals to case (clip): 2000 V AC, 1 min.

Climatic category: IEC 60068-1

55/085/56

Reference standards:

IEC 60384-1, EN 130 000

other construction available on request