

RC - PRVKY

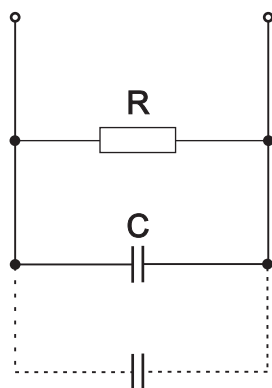
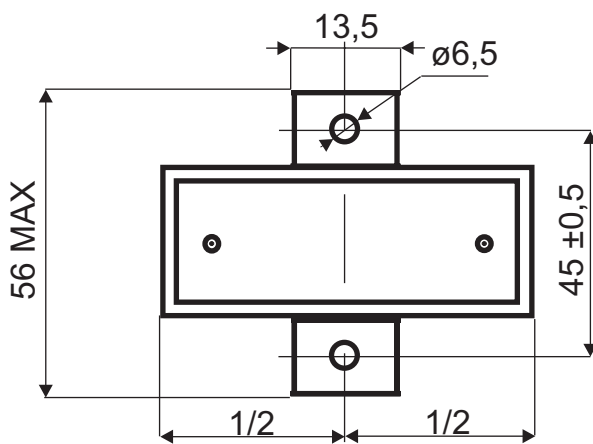
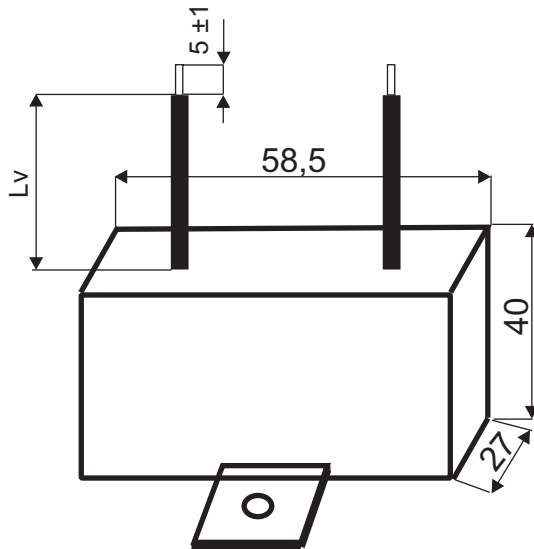
RC - UNITS

ES Elektronické součástky CZ, a.s.

Syllabova 2943/37, 703 00 OSTRAVA - Vítkovice
 Tel.: +420 595 781 623, 596 623 385
 Fax: +420 595 781 612, 596 623 386
 E - mail: eso@es-ostrava.cz
 Web Site: <http://www.es-ostrava.cz>

43.0001.1146

Construction:



Internal connection



R-C units are designed for the applications in DC and AC electronic circuits for contact protection, radio interference suppression of a thyristor regulators and comutators - motors, for the protection of semiconductor switches as dU/dt suppression on thyristors, triacs and power transistors.

The R - C units are also as class X2 (RC 209) with international IEC - CB - certificate available (CZ- 972, 1.001552-00)

Construction:

The winding of C and the resistor R are in prismatic box resin sealed. The terminals are insulated stranded wire $S = 0,5 \text{ mm}^2$ with the lengths L_v of $500 \pm 5 \text{ mm}$. Other L_v is on request available. The box has two metallic clips for the mounting.

Technical specification:

Type: customer specified

C: $7 \mu\text{F} \pm 10\%$

U_R : 160 VDC

R: $10 \text{ k}\Omega$ 1W

Pulse loading dU/dt (IEC 60384-1; 4.27)

$50 \text{ V}/\mu\text{sec}$

Test voltage:

terminal-terminal: $1,6 \times U_R$ for 2 sec

both terminal to case (clip): 2000 V AC, 1 min.

Climatic category: IEC 60068-1

55/085/56

Reference standards: IEC 60384-1, EN 130 000

IEC 60384-16

other construction available on request