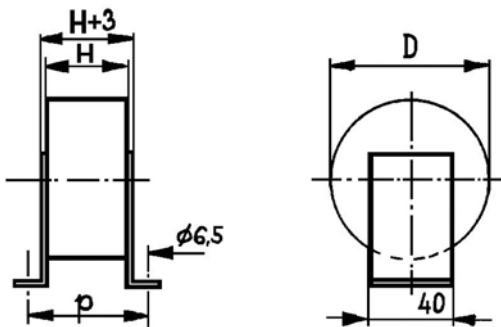


MKPI 300-204 SPECIAL POWER CAPACITORS FOR HIGH PULSE LOADING



Dimensions:



C [μF]	Dimensions [mm]		
	D	H	p
5	65 ⁺¹	38 ⁺¹	52,5 ^{±1}
20	120 ⁺¹	53 ⁺¹	82,5 ^{±1}

Construction:

Special winding units soldered on metal plates, which ensure cooling of the capacitors. The metal plates also make the contacts of the electrodes. The winding unit have non-inductive, self-healing construction,

Applications:

The capacitors are designed for use in high power and high pulse loading circuits of the electric devices. The construction of contact-plates are adaptable in accordance to customer requirements.

Technical data:

Rated voltage U_R: 1500VDC up to +60°C

Max permissible AC voltage: 700 V_{RMS} 50Hz

Rated capacitance:

5 uF other capacitance on request

Tolerance: ±10%, other tolerance on request

Dissipation factor TgD: < 0,0005 at 1kHz and +25°C

ESR: at 100kHz and +25°C < 5mΩ

Self resonant frequency of the winding unit:>

0,2MHz

Working frequency of the capacitors: up to 100kHz

Insulation resistance R_{IS}: 30 000/C [MΩ]

Operating temperature range: -40 ÷ +60°C

The highest permissible capacitor temperature at the hottest point of the case must not exceed +70°C.

Max. permitted dissipation power of the capacitor:

depend on the cooling conditions of the capacitors

Test voltage between terminals: 1 800VDC, 10sec

at +25°C,

All capacitors are tested by the routine test by the producer

Marking for purchase ordering:

MKPI300-204 20uF 1500VDC

Warning! The manufacturer is not responsible for any damages, caused by the improper installation and application. Before using the capacitor in any application, please, read carefully this technical data-sheet.